

# SHINDENGEN

## General Purpose Rectifiers

## Low Noise Bridges

# LN1WBA60

## 600V 1.1A

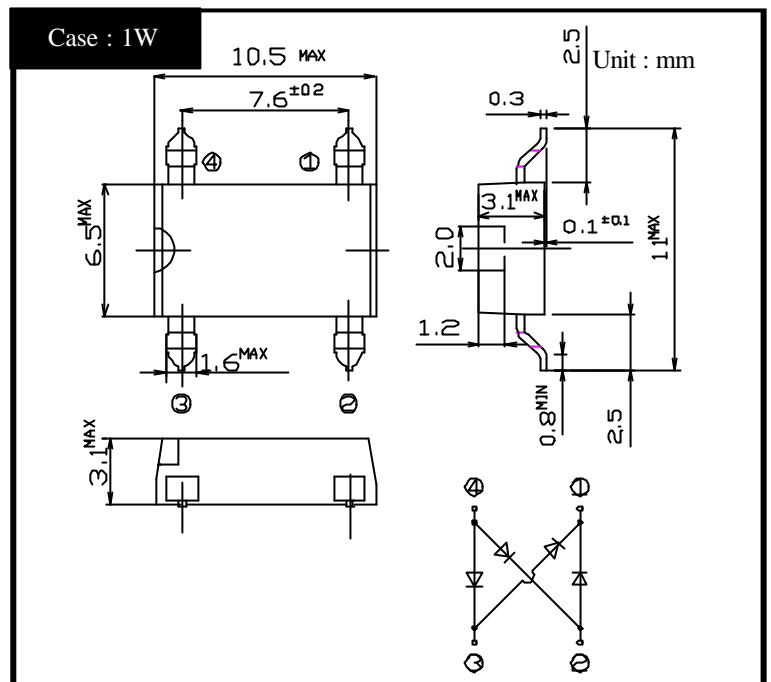
### FEATURES

- Low noise
- Dual In-Line (:DIL) Package
- Applicable to Automatic Insertion

### APPLICATION

- Adapter
- Switching power supply
- Home Appliances, Office Equipment,
- Telecommunication

### OUTLINE DIMENSIONS



### RATINGS

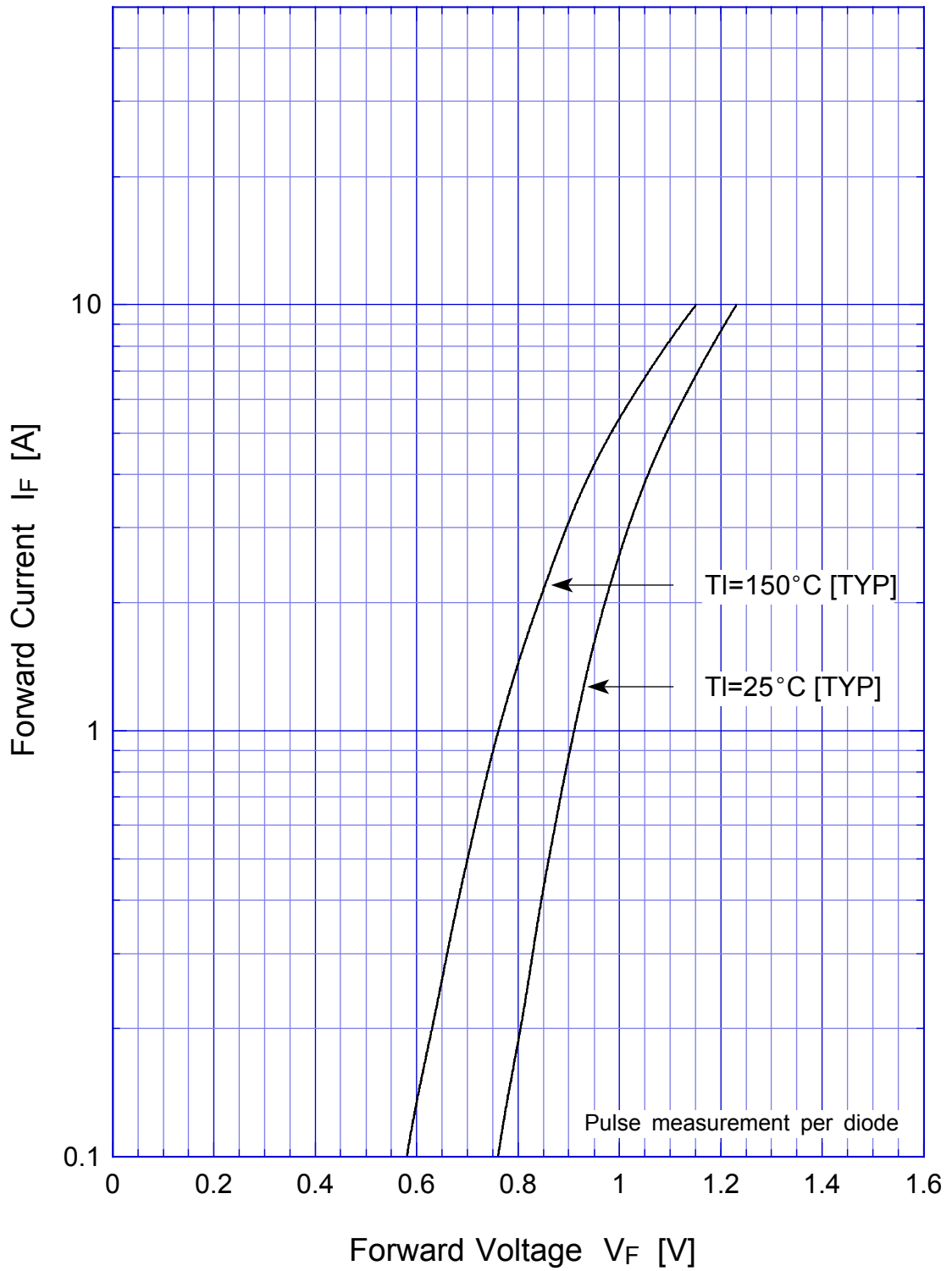
Absolute Maximum Ratings (If not specified  $T_I=25$  )

| Item                              | Symbol    | Conditions   | Ratings   | Unit             |
|-----------------------------------|-----------|--|-----------|------------------|
| Storage Temperature               | $T_{stg}$ |  | -40 ~ 150 |                  |
| Operating Junction Temperature    | $T_j$     |  | 150       |                  |
| Maximum Reverse Voltage           | $V_{RM}$  |  | 600       | V                |
| Average Rectified Forward Current | $I_o$     | 50Hz sine wave, R-load, $T_a=25$                           | 1.1       | A                |
| Peak Surge Forward Current        | $I_{FSM}$ | 50Hz sine wave, Non-repetitive 1cycle peak value, $T_j=25$ | 50        | A                |
| Current Squared Time              | $I^2t$    | 1ms $t < 10ms$ $T_j=25$                                    | 6         | A <sup>2</sup> s |

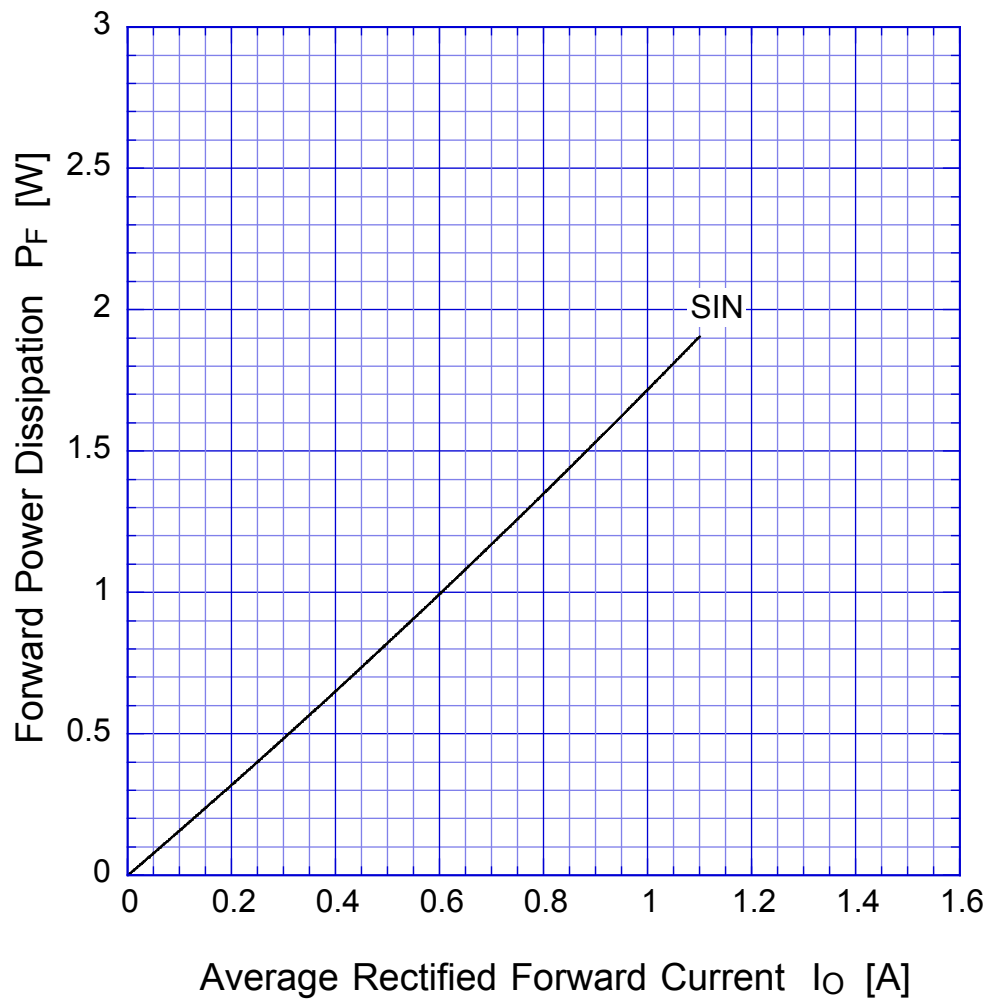
Electrical Characteristics (If not specified  $T_I=25$  )

| Item                  | Symbol        | Conditions  | Ratings | Unit    |
|-----------------------|---------------|---|---------|---------|
| Forward Voltage       | $V_F$         | $I_F=0.55A$ Pulse measurement, Rating of per diode  | Max. 1  | V       |
| Reverse Current       | $I_R$         | $V_R=V_{RM}$ Pulse measurement, Rating of per diode | Max. 10 | $\mu A$ |
| Reverse Recovery Time | $t_{rr}$      | $I_F=0.1A$ , $I_R=0.1A$ , Rating of per diode       | Max.5   | $\mu s$ |
| Thermal Resistance    | $\theta_{jl}$ | junction to lead                                    | Max.10  | /W      |
|                       | $\theta_{ja}$ | junction to ambient                                 | Max.65  |         |

# LN1WBA60 Forward Voltage



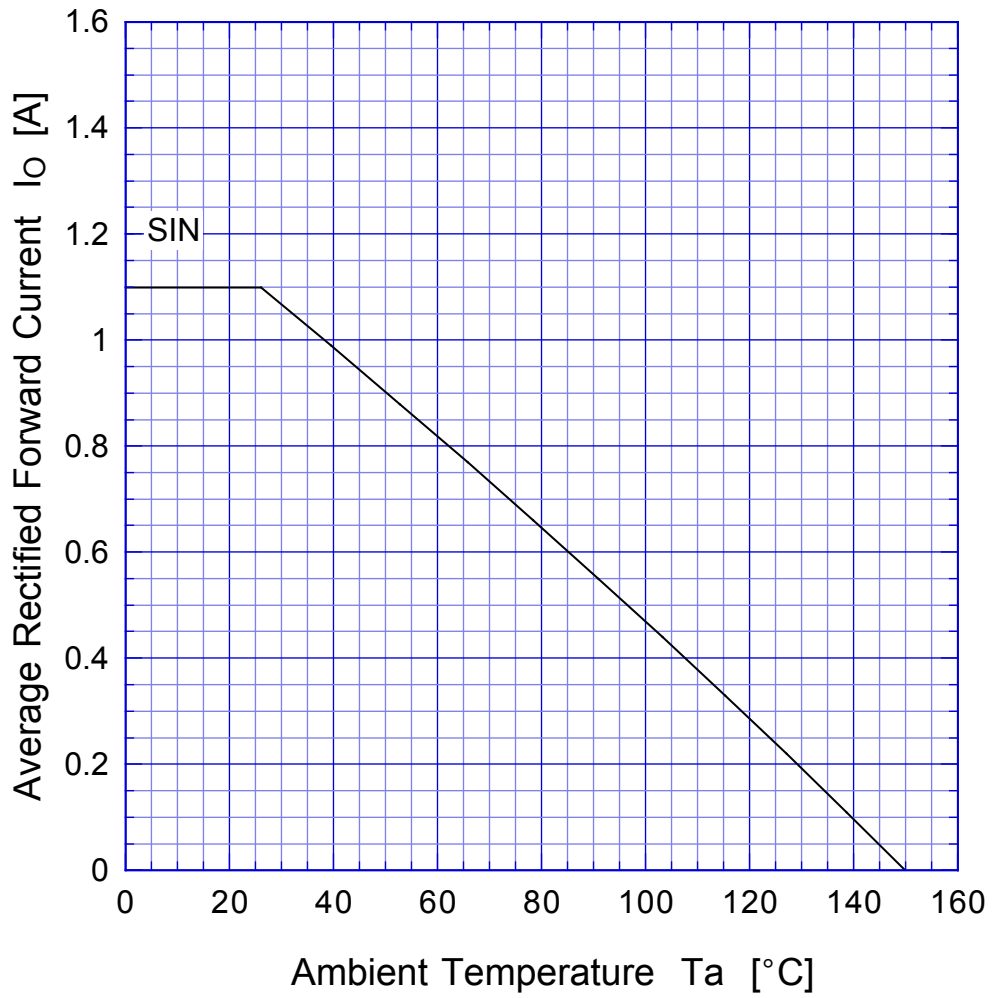
## LN1WBA60 Forward Power Dissipation



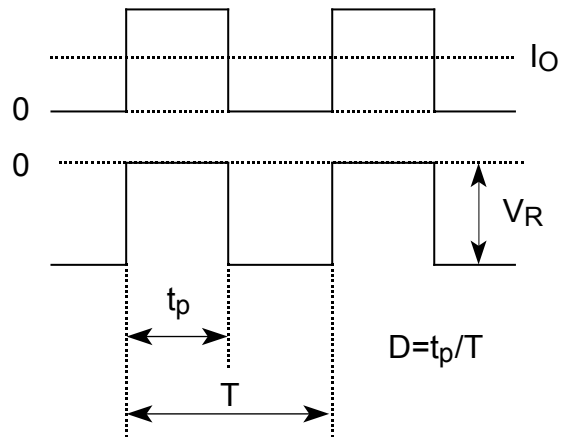
$T_j = 150^\circ\text{C}$   
Sine wave

# LN1WBA60

# Derating Curve



$V_R = 600V$



# LN1WBA60 Peak Surge Forward Capability

